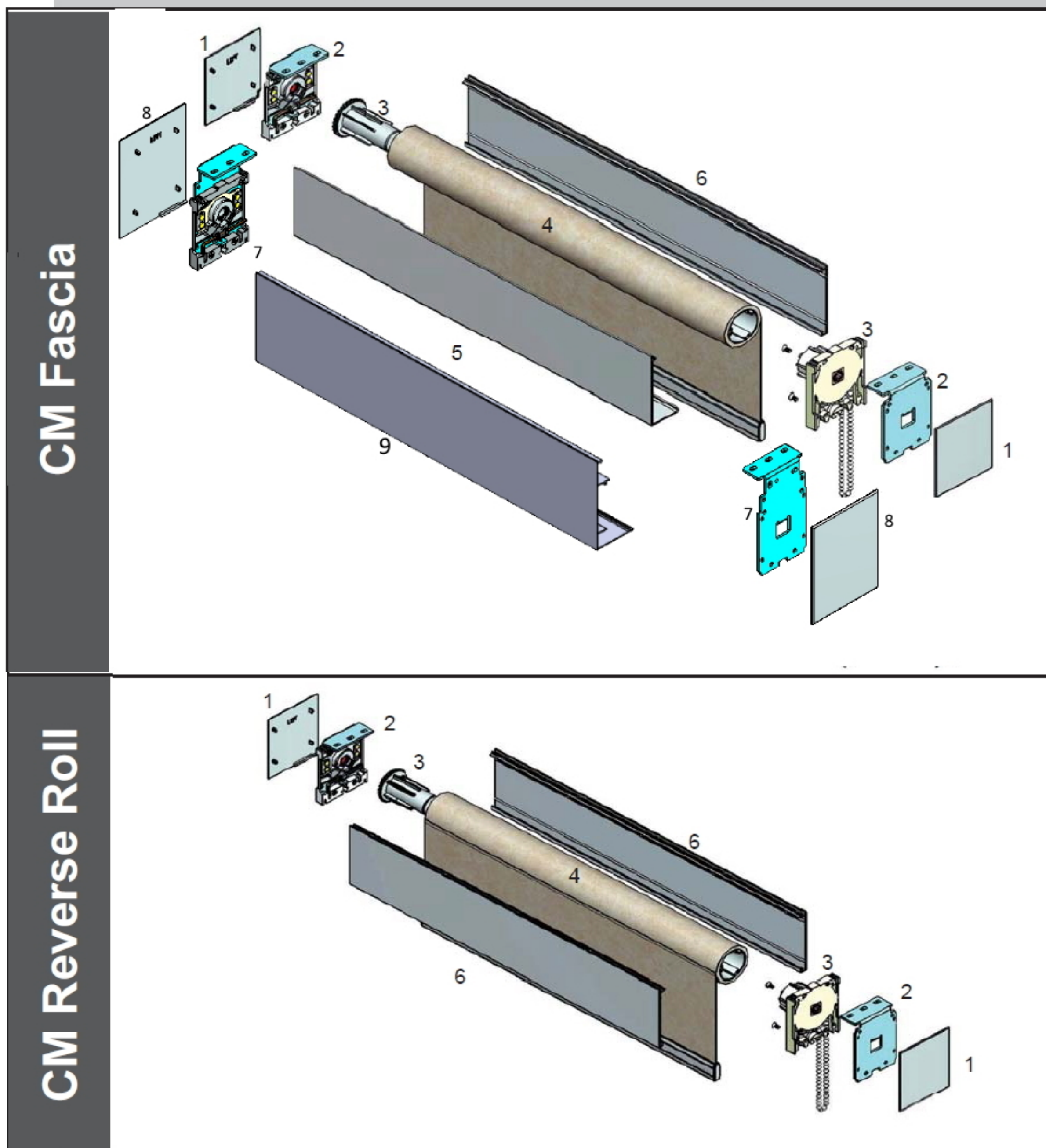
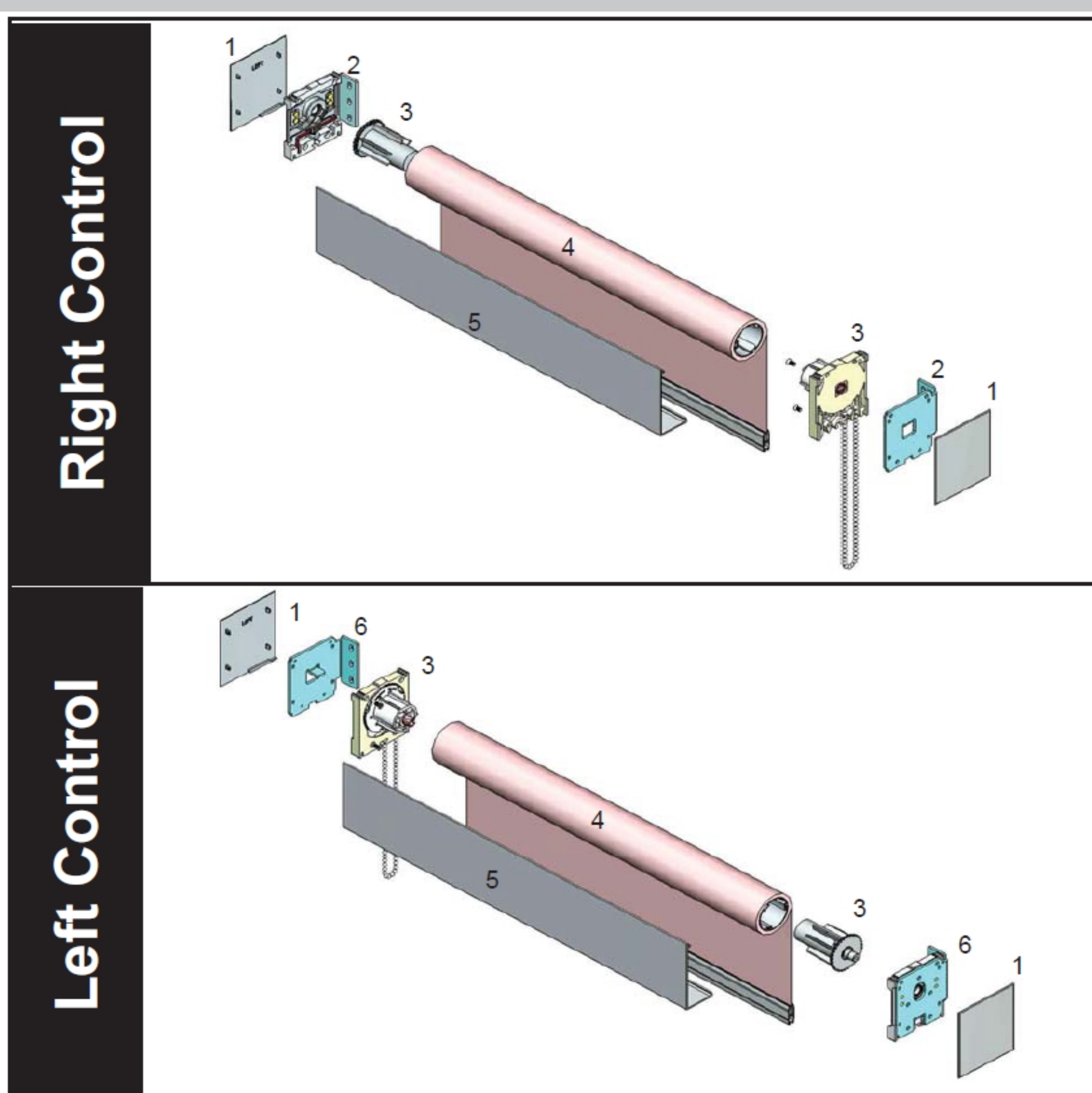


CM Fascia System Components (Ceiling Mount)



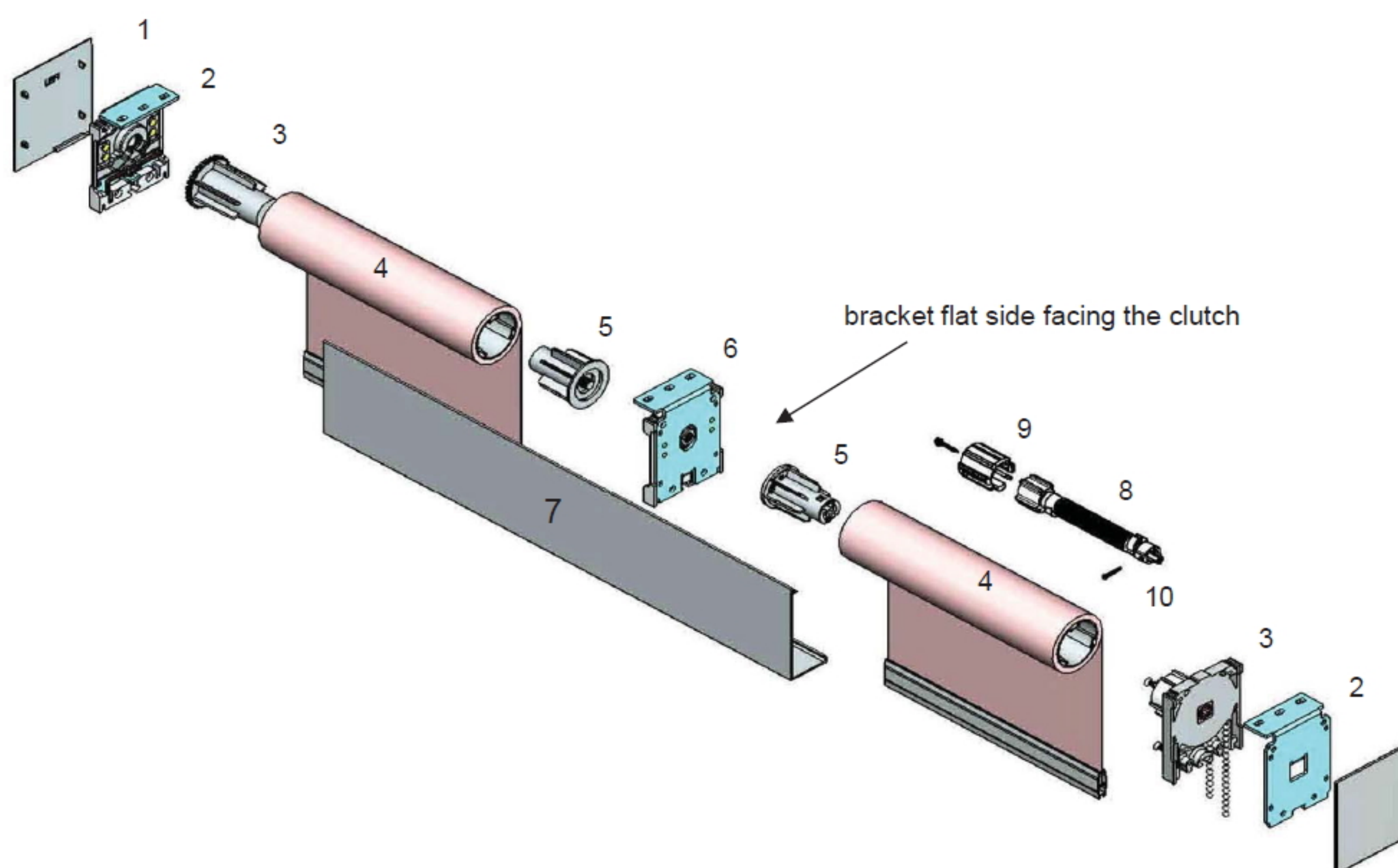
#	DESCRIPTION	ITEM #			CATALOG PAGE
		RS2TU	RST4*	RS3TU	
1	CM Bracket End Cap	CM-B11~5 /CM-B21~5			A-1/A-2
2	CM Bracket for Ceiling Mount/ CM Extended Bracket for Ceiling Mount	CM-B01/CM-B41			A-1
3	CM Clutch Set	CM-2X1	CM-2R1	CM-3X1	A-1
4	Tube	RS-2TU	RS-T4*	RS-3TU	E-1
5	CM Fascia	CM-F01~5			A-2
6	Back Fascia	CM-F21~5			A-2
7	CM Extended Bracket for Ceiling Mount	CM-B41			A-1
8	5" CM Fascia Endcap	CM-B51~5			A-2a
9	5" CM Fascia	CM-F41~5			A-2a

CM Fascia System Components (Wall Mount)



#	DESCRIPTION	ITEM #			CATALOG PAGE
		RS2TU	RST4*	RS3TU	
1	CM Bracket End Cap	CM-B1*/CM-B2*			A-1/A-2
2	CM Bracket for Right Control	CM-B02			A-1
3	CM Clutch Set	CM-2X1	CM-2R1	CM-3X1	A-1
4	Tube	RS-2TU	RS-T4*	RS-3TU	E-1
5	CM Fascia	CM-F**			A-2
6	CM Bracket for Left Control	CM-B03			A-1

CM Fascia System with Intermediate Bracket



#	DESCRIPTION	ITEM #			CATALOG PAGE
		RS2TU	RST4*	RS3TU	
1	CM Bracket End Cap	CM-B1*			A-1
2	CM Bracket	CM-B01,B02,B03			A-1
3	CM Clutch Set	CM-2X1	CM-2R1	CM-3X1	A-1
4	Tube	RS-2TU	RS-T4*	RS-3TU	E-1
5	CM Coupler	CM-C01	CM-C02	CM-C03	A-2
6	CM Intermediate Bracket	CM-B04,B05,B06			A-2
7	CM Fascia	CM-F**			A-2
8	Spring Assist, Right/Left	RS-B01/RS-B02			E-1
9	RS Tube Adaptor f/Spring Assist	RS-B03	None	RS-B04	E-1
10	Screw for Clutch End	RS-B11	RS-B11	RS-B11	E-2