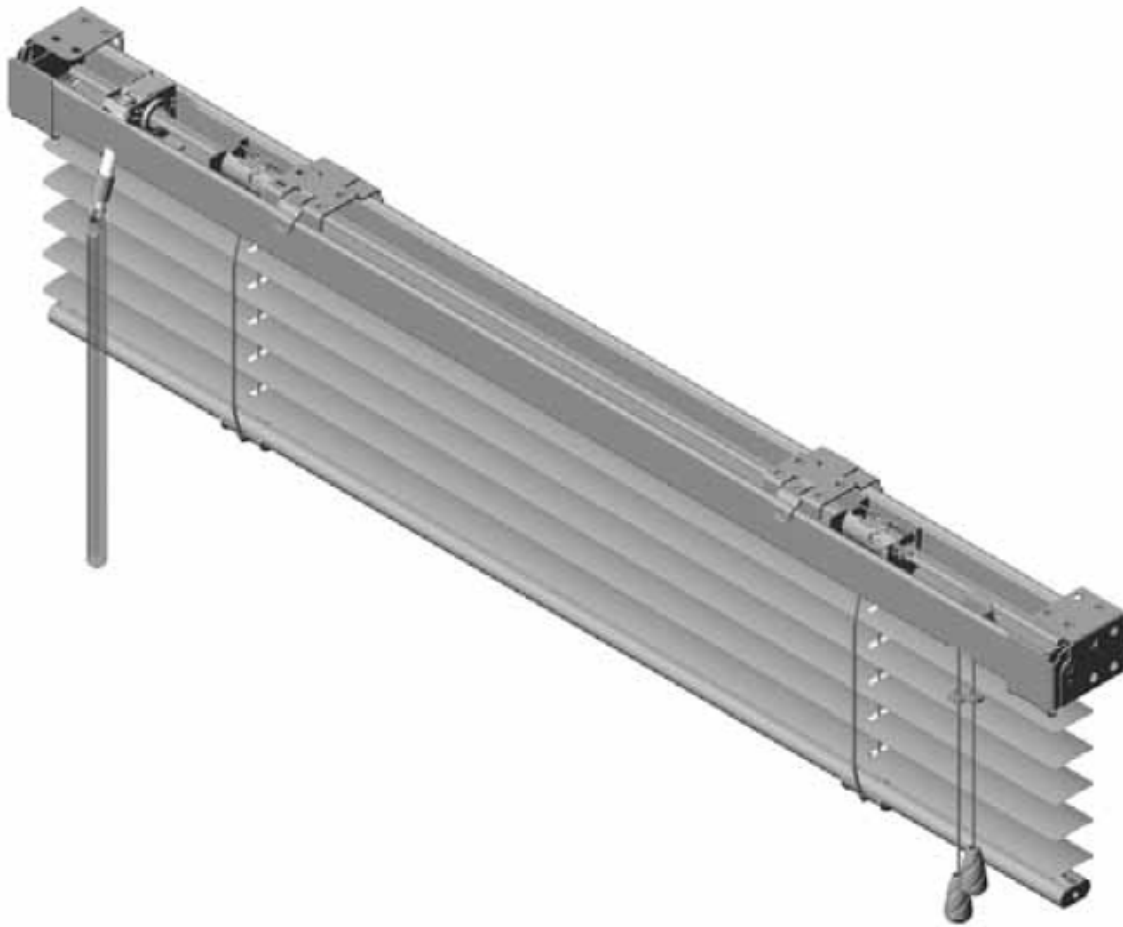


Product Cut Sheet: Dynasty Commercial Aluminum Mini-Blind System



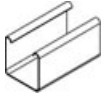
System Features:

- All headrail components are steel
- Steel hardware is machine-clinched, ensuring accurate alignment of moving parts
- Wand Tilter has a clutch mechanism preventing over-rotation and repairs

Product Cut Sheet: Dynasty Commercial Aluminum Mini-Blind System

Blind Options:

- Dynasty Commercial Mini-Blind – 1 ½" x 1" Headrail with 6-Gauge Aluminum Slats



Headrail:

- Polyester baked enamel – color coordinated
- Phosphate treated steel – 1 ½" x 1" high
- Wall thickness – 0.024" (before paint)



Lift Cords: *(Color Coordinated)*

- 1.4mm Polyester braided cords designed for lifting and lowering the blind

Valance Options: *(Color Coordinated)*

- Single slat valance
- Double slat valance
- Deluxe double slat valance

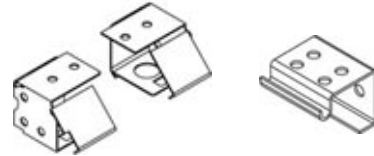
Mounting Hardware:

- Universal box brackets (color coordinated)
- Center supports on blinds wider than 60"
- Extension brackets (when requested)
- Hold down brackets (when requested)



Bottomrail: *(Color Coordinated)*

- Steel – C shape
- Phosphate treated steel
- Wall thickness – 0.024" (before paint)
- Clear plastic end caps



Tilt Controls:

Wand Tilt Option

- The tilt mechanism features a steel housing with a self-lubricating nylon, automatically disengaging worm and gear mechanism to eliminate over-rotation
- Machine-clinched into headrail channel

Size Recommendations:

- Minimum Width – 9"
- Minimum Drop – 9"
- Maximum Width – 96"
- Maximum Drop – 96"

The sizes listed above are merely recommendations. Blinds may be ordered larger if required. Optional 2 or 3 blinds on a single headrail are available as well.

Control Locations: *(Restrictions may apply)*

- Standard: Tilter – Left / Lift Cords – Right
- Reverse: Tilter – Right / Lift Cords – Left
- Same Left: Tilter – Left / Lift Cords – Left
- Same Right: Tilter – Right / Lift Cords – Right

Lift Control (Cord Lock):

- Shall be steel and must be secured to the headrail channel by means of a metal rivet
- Incorporates a "Crash Proof" safety feature that locks the blind automatically upon release of cords

Other Headrail Channel Hardware:

- Headrail components shall be steel
- Machine-clinched into headrail channel



Cord Ladder: *(Color Coordinated)*

- Polyester braided cord ladders are designed to ensure proper control with adequate overlap of slats when in the closed position

Cord Ladder Spacing:

- Maximum spacing between rout holes is 20"
- Options:
 - Contract Ladder: 21.5mm (14.2 Slats/Ft.)
 - Classic Ladder: 19.5mm (15.7 Slats/Ft.)
 - Privacy Ladder: 18.0mm (16.9 Slats/Ft.)

Privacy ladder features an offset route hole that provides for increased light blocking.